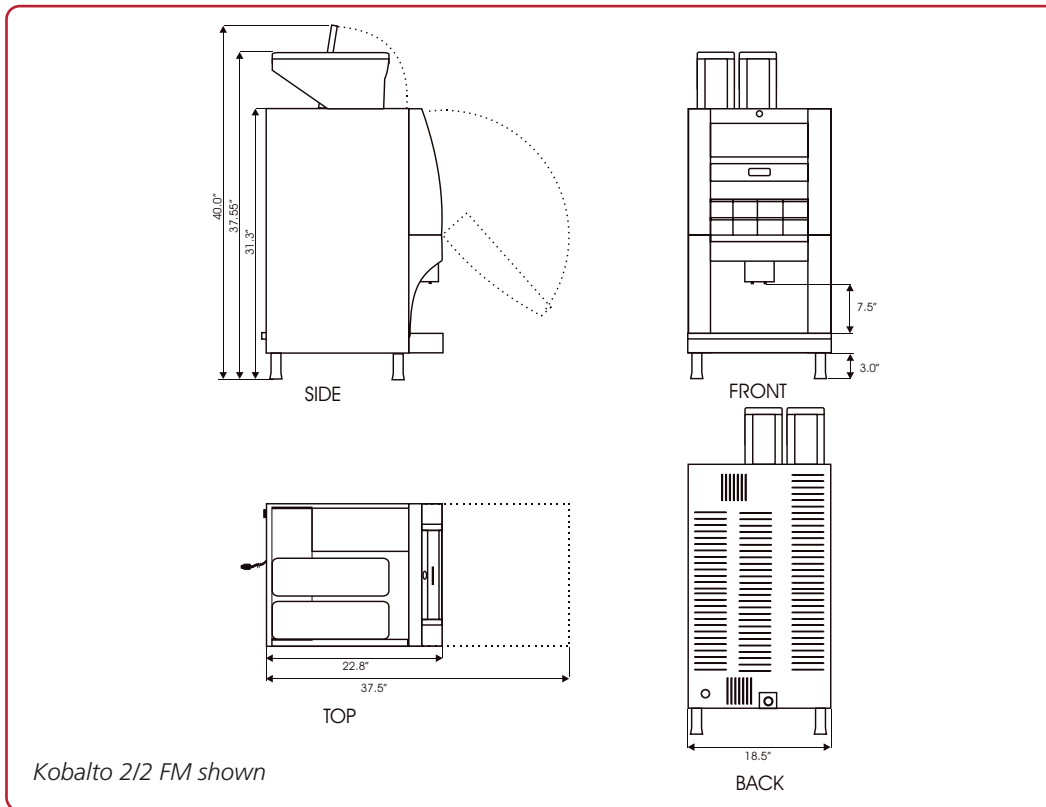


Models & Dimensions

Kobalto Super-Automatic Espresso Brewer



Specifications

Model	Description	Dispense Capacity	Dispense Volumes	Number of Boilers	Dimensions (H x W x D)	Ship Dimensions (H x W x D)	Electrical	Ship Weight
Kobalto 1/3 (66102)	Super-automatic espresso brewer that utilizes (1) coffee bean hopper and (3) soluble hoppers to create a variety of café quality specialty beverages.	45 (20 oz) drinks or 120 espresso shots	8 oz, 12 oz, 16 oz, or 20 oz	1 and (1) 2.5 gallon water tank	37.5" x 18.5" x 22.75" (95 cm x 47 cm x 58 cm)	42" x 30" x 22.5" (107 cm x 76 cm x 57 cm)	120V/240V / 30A / 1Ph NEMA L14-30P (included)	205 lbs. (93 kg)
Kobalto 2/2 FM (66103)	Super-automatic espresso brewer that utilizes (2) coffee bean hoppers, (2) soluble hoppers, and fresh milk to create a variety of café quality specialty beverages.	45 (16 oz) drinks or 120 espresso shots	8 oz, 12 oz, or 16 oz	2	37.5" x 18.5" x 22.75" (95 cm x 47 cm x 58 cm)	42" x 30" x 22.5" (107 cm x 76 cm x 57 cm)	120V/240V / 20A / 1Ph NEMA L14-20P (included)	205 lbs. (93 kg)

Plumbing: 3/4" Female Garden Hose fitting needed to attach to water supply @ 10 to 100 psi; Initial water filter included; water filter usage required to maintain warranty coverage

Available Accessories: Base Cabinet, Expanded Waste Capacity, Payment System Compatible, Cup Warmer, Minifridge (Kobalto 2/2 FM only). Contact GMCW™ for pricing and additional information.

Installation Package: Purchase of installation package required for warranty coverage. Contact GMCW™ for pricing and additional information.

Contact GMCW™ for more information. Specifications subject to improvement or change without notice.

