



KORINTO

by  **NECTA**
A company of N&W Global Vending

Item#

Project

Date

Models:

Super Automatic Espresso Brewer

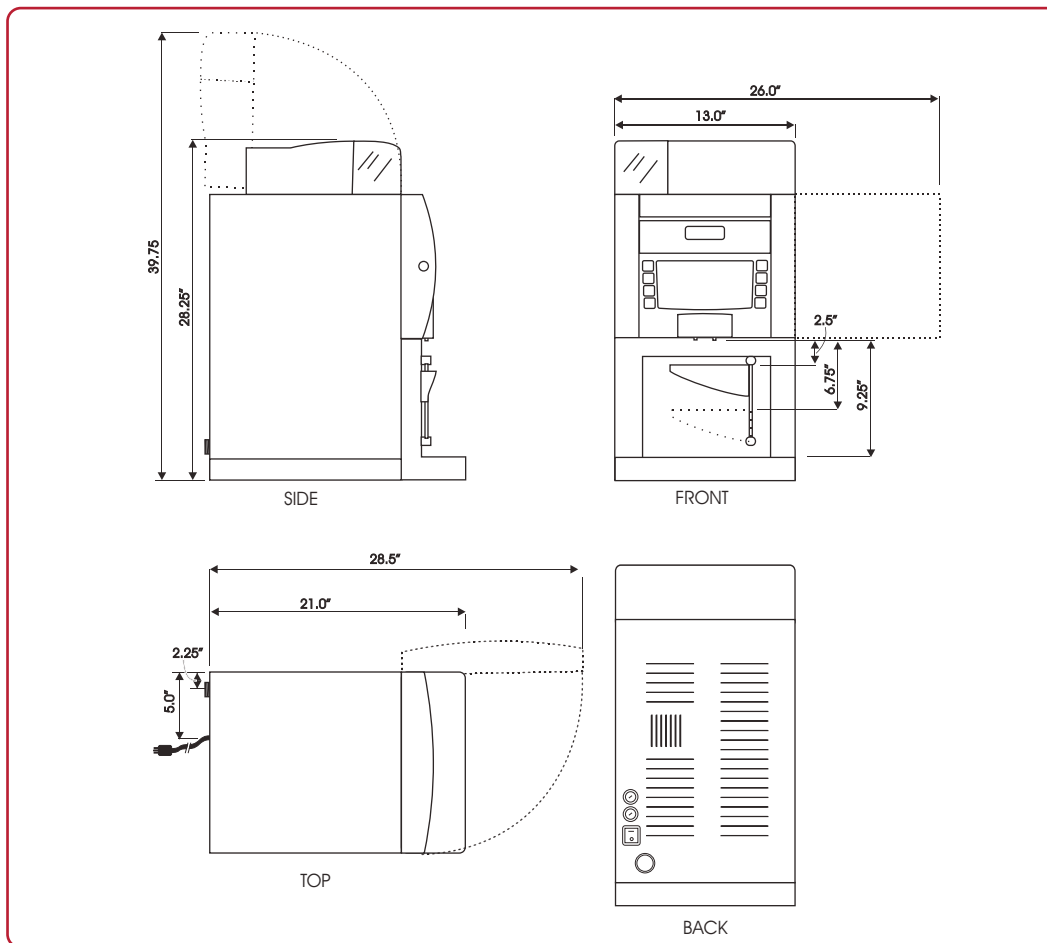


Features

- The Korinto produces café-quality espresso-based beverages using fresh whole bean coffee. It precisely tamps, pre-infuses, and extracts coffee all without the need for a trained barista.
- The Korinto utilizes one whole bean fresh coffee hopper and two soluble product hoppers to create a wide variety of specialty beverages including cappuccino, lattes, mochas, and more.
- Automatic coffee and soluble dosing result in a consistent beverage taste profile.
- Produce up to 45 (12 oz.) drinks per hour or 120 espresso shots.
- The simple user interface features large, user-friendly selection buttons and an attractive LCD display.
- The Korinto can be used in self-service mode or easily operated by any store staff member.
No barista training required!
- Attractive and compact design make the Korinto a profitable addition to any existing beverage program or an easy entry point into the specialty beverage market.

Models & Dimensions

Korinto Super-Automatic Espresso Brewer



Specifications

Model	Description	Dispense Capacity	Dispense Volumes	Number of Boilers	Dimensions (H x W x D)	Ship Dimensions (H x W x D)	Electrical	Ship Weight
Korinto 1/2 (66101)	Super-automatic espresso brewer that utilizes (1) coffee bean hopper and (2) soluble hoppers to create a variety of café quality specialty beverages.	45 (12 oz) drinks or 120 espresso shots	8 oz, 10 oz, or 12 oz	1	28.25" x 13" x 21" (72 cm x 33 cm x 53 cm)	32" x 16" x 24" (81 cm x 41 cm x 61 cm)	120V / 12A	105 lbs. (48 kg)

Plumbing: 3/4" Female Garden Hose fitting to attach to water supply @ 10 to 100 psi

Available Accessories: Base Cabinet, Expanded Waste Capacity, Payment System Compatible, Cup Warmer. Contact GMCW™ for pricing and additional information.

Contact GMCW™ for more information. Specifications subject to improvement or change without notice.

